



## Workman<sup>®</sup> e2050 Utility Vehicle

Model No. 07280TC - 250000001 and up.

## Parts Catalog

---

### Ordering Replacement Parts

To order replacement parts, please supply the part number, the quantity, and the description of each part desired.

### Understanding Reference Numbers

Each Identified part in an illustration has a reference number. The reference number for a part also appears in the parts list, along with other information about the part.

This catalog uses two special reference number formats, one to indicate parts in a service assembly and another to indicate the quantity of a given part in an illustration.

### Service Assembly Reference Numbers

Parts in service assemblies have reference numbers in the form a:b. The a represents the reference number of the entire service assembly and the b represents a sequential number unique to each part within the service assembly.

For example, a wheel assembly might be identified by reference number 6, the tire by 6:1, the valve by 6:2, and the wheel by 6:3. When you order the assembly identified by reference number 6, you receive all parts identified by reference numbers 6:1, 6:2, and 6:3. However, you may also order any part individually. Reference numbers of this type appear in illustrations and in part lists.

### Reference Numbers Indicating Quantity

In an illustration, if a reference number indicates more than one part, the reference number has the form nX y. The n represents the quantity of the part, the X is the multiplication symbol, and the y represents the reference number.

For example, in an illustration, the reference number 2X 37 means that two of the parts identified by reference number 37 are indicated.

# Contents

Description	Page	Description	Page
Hood and Fender Assembly	..... 3	Controller Assembly	..... 11
Solenoid Assembly No. 104-7135	..... 4	Battery and Transaxle Assembly	..... 12
Pedal Assembly	..... 5	Electric Motor Assembly No. 104-7335	..... 13
Frame Assembly	..... 6	Axle Assembly No 104-7378	..... 14
Seat Base Assembly	..... 7	Left Hand Brake Assembly No. 108-2419	..... 15
Offboard 48 Volt Charger Assembly No. 107-0364	..... 8	Right Hand Brake Assembly No. 108-2420	..... 16
Front Tire and Steering Assembly	..... 9	Steering Assembly	..... 17
Tire, Wheel and Hub Assembly	..... 10	Steering Gearbox Assembly No. 99-7660	..... 18
		Box and Tailgate Installation Assembly	..... 19
		Box and Tailgate Assembly	..... 20

## Part Description Abbreviations

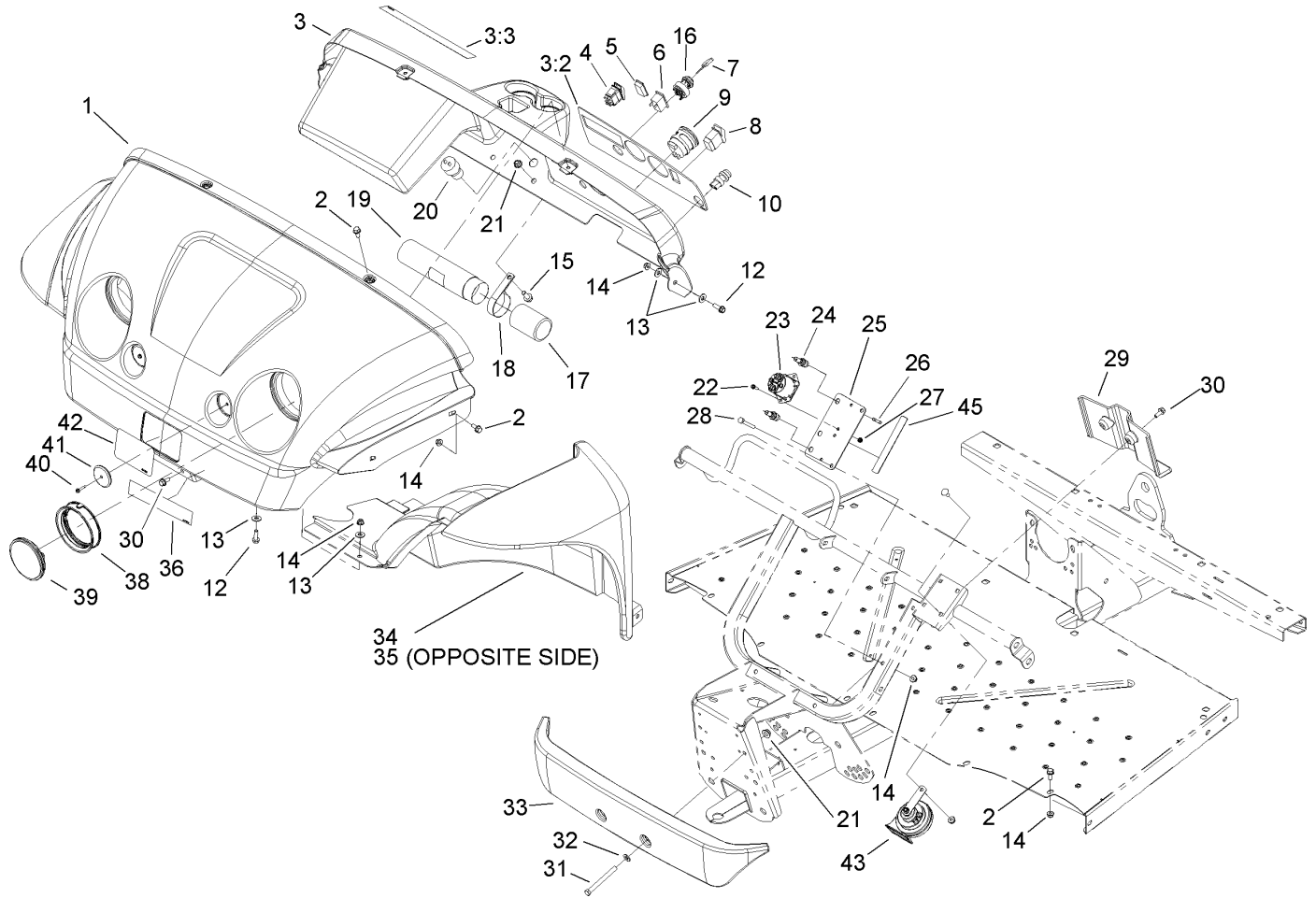
Part descriptions in this catalog may include the following abbreviations.

AR. .... as required	INC. .... incorporated
ASM. .... assembly	LH. .... left hand
CARR. .... carriage	NI. .... nylon insert
DEG. .... degrees	PPH. .... phillips pan head
FH. .... flat head	PTH. .... phillips truss head
GA. .... gauge	PTO. .... power take off
HF. .... hex flange	RH. .... right hand
HH. .... hex head	SFH. .... slotted fillister head
HHF. .... hex head flange	SHH. .... slotted hex head
HHFTF. .... hex head flange thread forming	SHWH. .... slotted hex washer head
HJ. .... hex jam	SPH. .... slotted pan head
HLH. .... hex lag head	SQH. .... square head
HOC. .... height-of-cut	SRH. .... slotted round head
HS. .... hex	STD. .... standard
HSBH. .... hex socket button head	TAP. .... self tapping
HSFH. .... hex socket flat head	TTH. .... torx truss head
HSH. .... hex socket head	WH. .... wing head
HWH. .... hex washer head	
HWHTF. .... hex washer head thread forming	
HYD. .... hydraulic	

## Footnotes

❶ Not illustrated

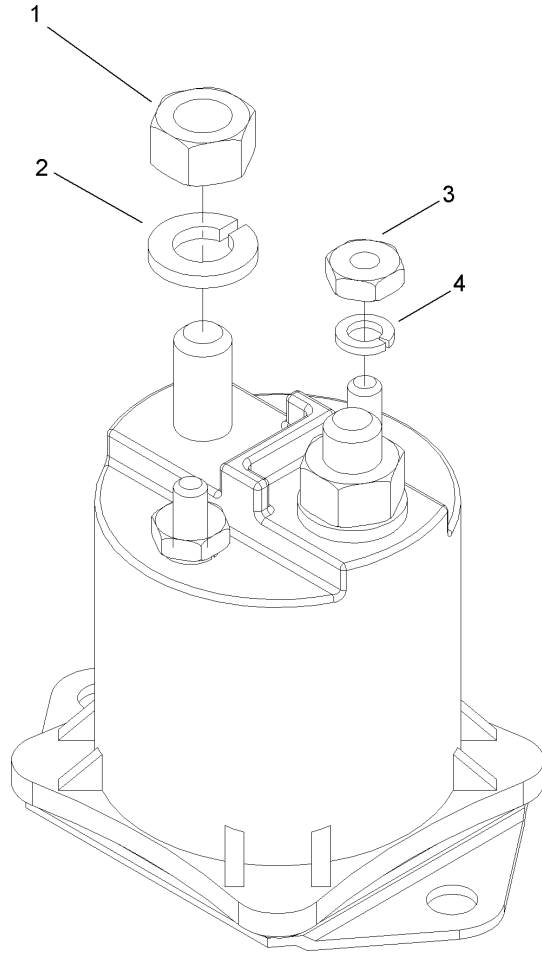
❷ Not serviced separately



## Hood and Fender Assembly

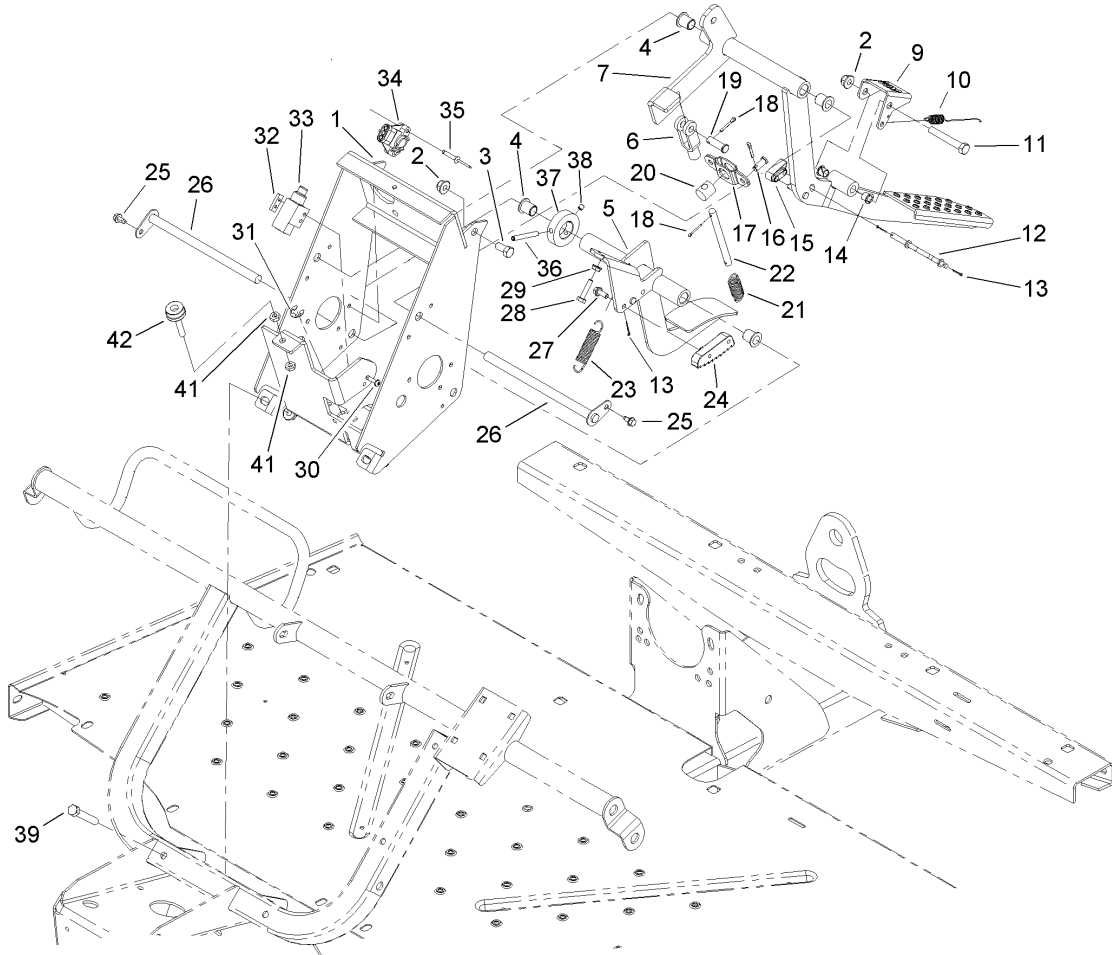
Ref	Part No.	Qty.	Description
1	104-7003	1	Hood
2	3234-5	14	Screw
3	104-7216	1	Electric Dash ASM
3:2	104-7214	1	Decal-Dash, Electric
3:3	104-7215	1	Decal-Danger, Electric Vehicle
4	107-0255	1	Switch
5	99-7420	2	Plug-Hole
6	104-7129	1	Light-Indicator
7	99-7418	1	Key-Ignition
8	107-0747	1	Switch-Rocker
9	107-0260	1	Gauge-Hour/battery Level, 48 Volt
10	18-2830	1	Button-Horn
12	3234-17	4	Screw-HHF
13	3256-3	8	Washer-Flat
14	104-8300	16	Nut-Flange, NI
15	3234-11	2	Screw-HHF
16	107-0348	1	Switch-Key, 48v
17	104-7048	1	Cap-Housing
18	2412-133	2	R-Clamp
19	104-7050	1	Housing-Manual
20	94-5245	1	Switch-Key
21	104-8301	4	Nut-Flange, NI
22	32105-13	2	Screw-SHH
23	104-7135	1	Solenoid

Ref	Part No.	Qty.	Description
24	218-489	2	Holder-Fuse
25	104-7252	1	Mount-Solenoid
26	98-8876	2	Fuse-10 Amp
27	32149-7	2	Nut-Keys
28	322-11	2	Screw-HH
29	104-7075	1	Cover-Channel
30	104-7206	4	Screw HHF
31	323-42	2	Screw-HH
32	3256-24	2	Washer-Flat
33	99-7733	1	Bumper-Plastic
34	104-7076	1	LH Fender ASM
35	104-7077	1	RH Fender ASM
36	104-7120	1	Decal-Electric
38	99-7311	2	Mount-Headlight
39	104-7312	2	Headlight
40	32144-89	2	Screw-Forming, Thread
41	99-7312	2	Reflector
42	99-7339	1	Decal
43	107-0358	1	Horn
45	107-0287	1	Decal-Fuse



### Solenoid Assembly No. 104-7135

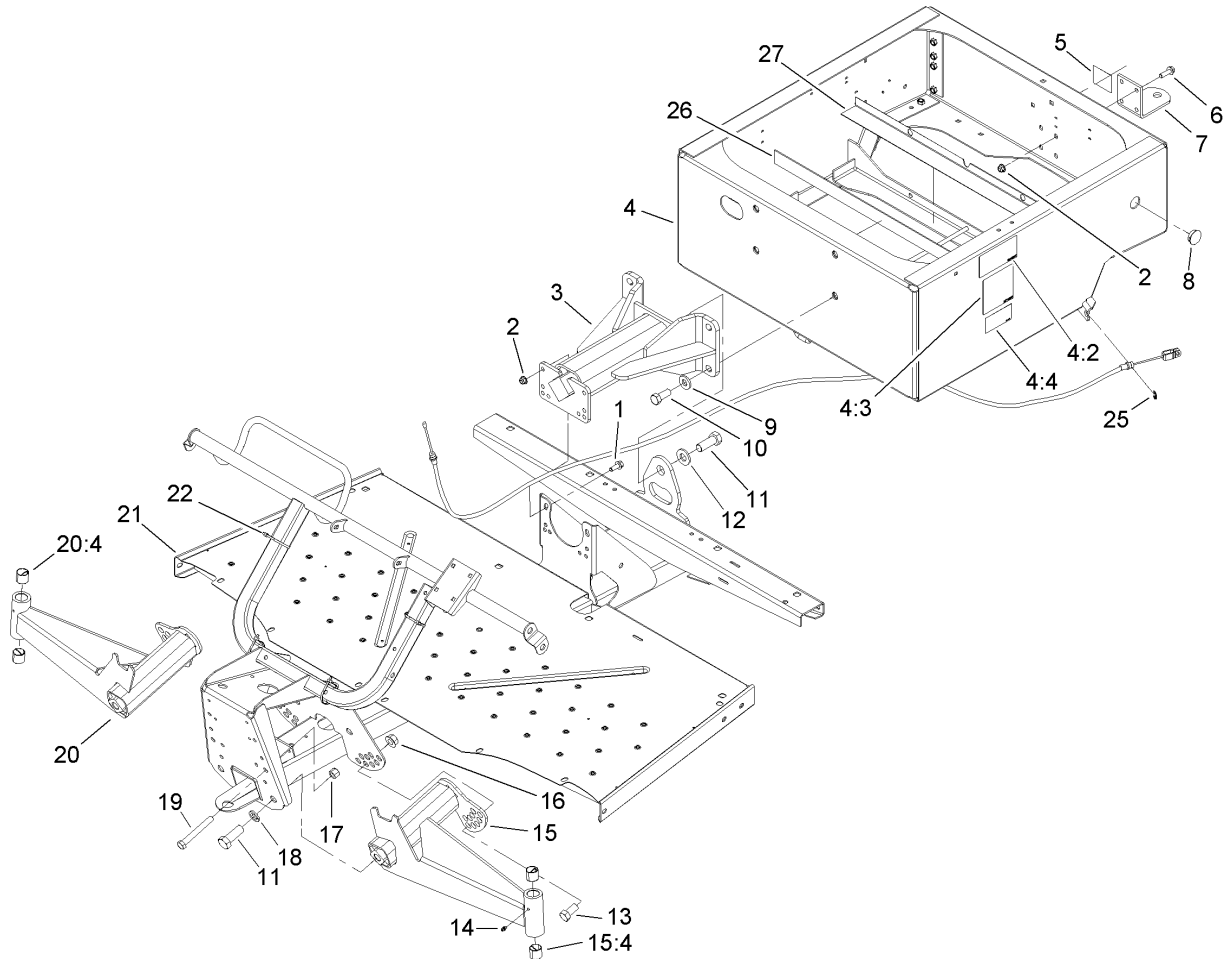
Ref	Part No.	Qty.	Description				
1	3217-6	2	Nut-Hex				
2	3253-4	2	Washer-Lock				
3	3219-14	2	Nut-Hex				
4	3253-17	2	Washer-Lock / Sp				



## Pedal Assembly

Ref	Part No.	Qty.	Description
1	104-7160-03	1	Frame-Pedals
2	104-8301	5	Nut-Flange, NI
3	323-4	2	Screw-HH
4	256-155	4	Bushing-Flange
5	104-7165-03	1	Pedal-Throttle
6	1-633131	1	Yoke-Linkage, Brake
7	104-7170-03	1	Pedal-Brake
9	104-6613	1	Pedal-Park
10	92-6945	1	Spring-Extension
11	323-12	1	Screw-HH
12	104-6616	1	Rod-Park
13	3272-4	4	Pin-Cotter
14	52-2891	2	Bushing-Link, Steering
15	104-6624	1	Detent-Brake
16	283-62	2	Pin-Clevis
17	104-6599	1	Pivot-Brake
18	3272-10	4	Pin-Cotter
19	283-2	1	Pin-Clevis
20	104-6598	1	Pin-Pivot
21	613386	1	Spring-Brake
22	104-6597	1	Rod-Threaded
23	104-6415	1	Spring-Return, Pedal
24	104-6614	1	Pawl-Brake
25	12-3270	2	Screw

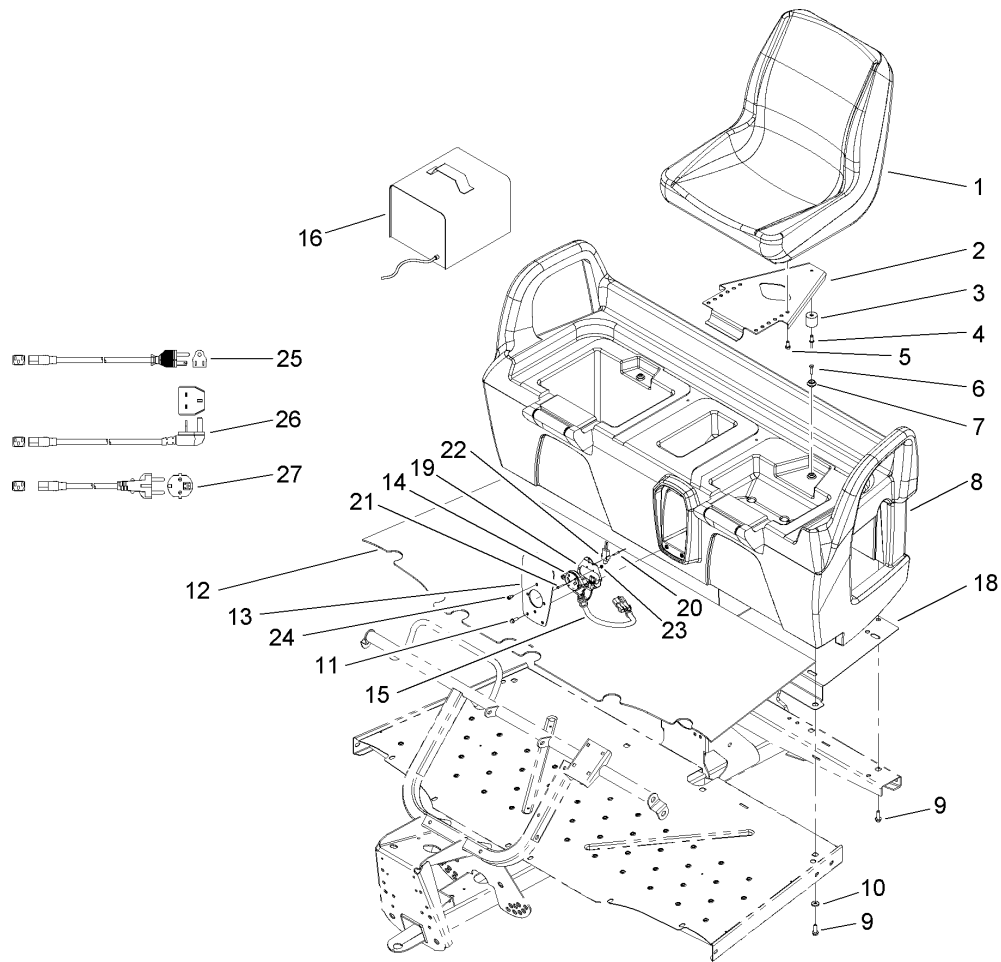
Ref	Part No.	Qty.	Description
26	104-7164	2	Pivot-Pedals
27	3234-33	2	Screw-HHF
28	321-7	2	Screw-HH
29	32149-2	2	Nut-Keps
30	104-7221	2	Screw-PPH
31	32120-47	2	Ring-Retaining, External
32	1-633181	1	Plate-Tapped
33	99-7407	1	Switch
34	104-7365	1	Sensor-Position, Rotary
35	107-0386	2	Rivet-Blind
36	32121-78	1	Pin-Roll
37	104-7301	1	Collar
38	3245-32	2	Screw-HS
39	323-11	2	Screw-HH
41	3218-2	2	Nut-Jam
42	32141-36	1	Screw-Adjustment, Level



### Frame Assembly

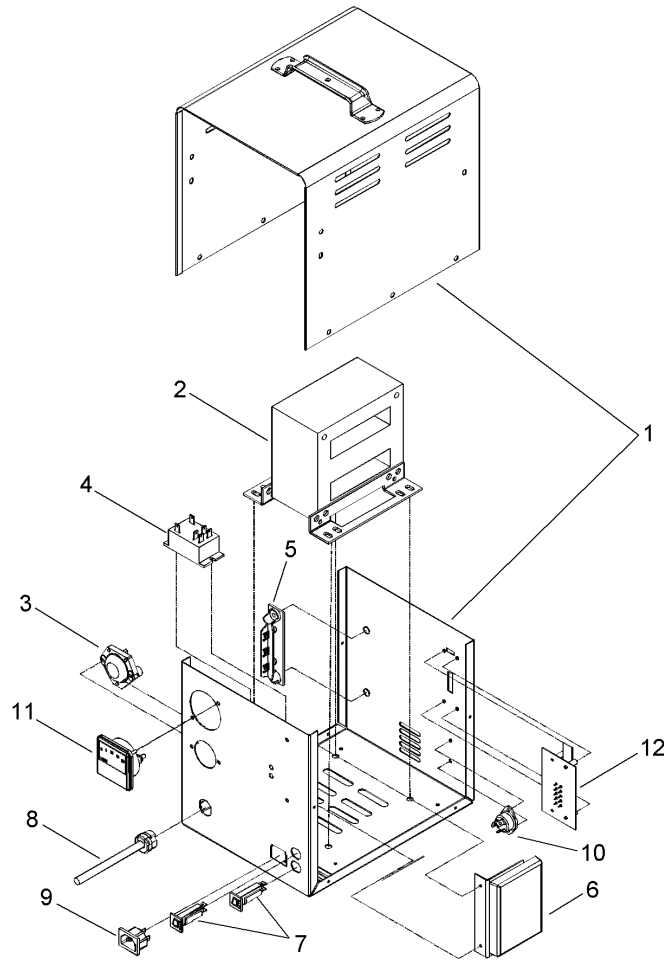
Ref	Part No.	Qty.	Description
1	3234-11	4	Screw-HHF
2	104-8301	8	Nut-Flange, NI
3	99-7700	1	Pivot Yoke ASM
4	104-7130	1	Rear Frame ASM
4:2	104-7207	2	Decal-Electric
4:3	107-0257	1	Decal-Polarity
4:4	104-7131	1	Decal-Capacity, Electric
5	99-7350	1	Decal-Information
6	3234-24	4	Screw-HHF
7	99-7654-03	1	Hitch-Duty, Light
8	94-1402	1	Plug-Hole
9	99-7667	4	Washer-Flat
10	327-4	4	Screw-HH
11	328-24	5	Screw-HH
12	87-3060	1	Washer-Hardened
13	3214-2	2	Screw-HH
14	302-5	2	Fitting-Grease
15	99-7685	1	LH A-Arm ASM
15:4	3-0348	2	Bushing
16	32128-54	2	Nut-HF
17	3296-23	2	Nut-Lock, NI
18	3254-7	4	Washer-Lock, Int
19	325-17	2	Screw-HH
20	99-7684	1	RH A-Arm ASM

Ref	Part No.	Qty.	Description
20:4	3-0348	2	Bushing
21	104-7197-03	1	Front Frame ASM
22	3290-379	11	Tie-Cable
25	32120-47	2	Ring-Retaining, External
26	107-0252	1	Pad-Battery
27	107-0267	4	Isolator-Battery



## Seat Base Assembly

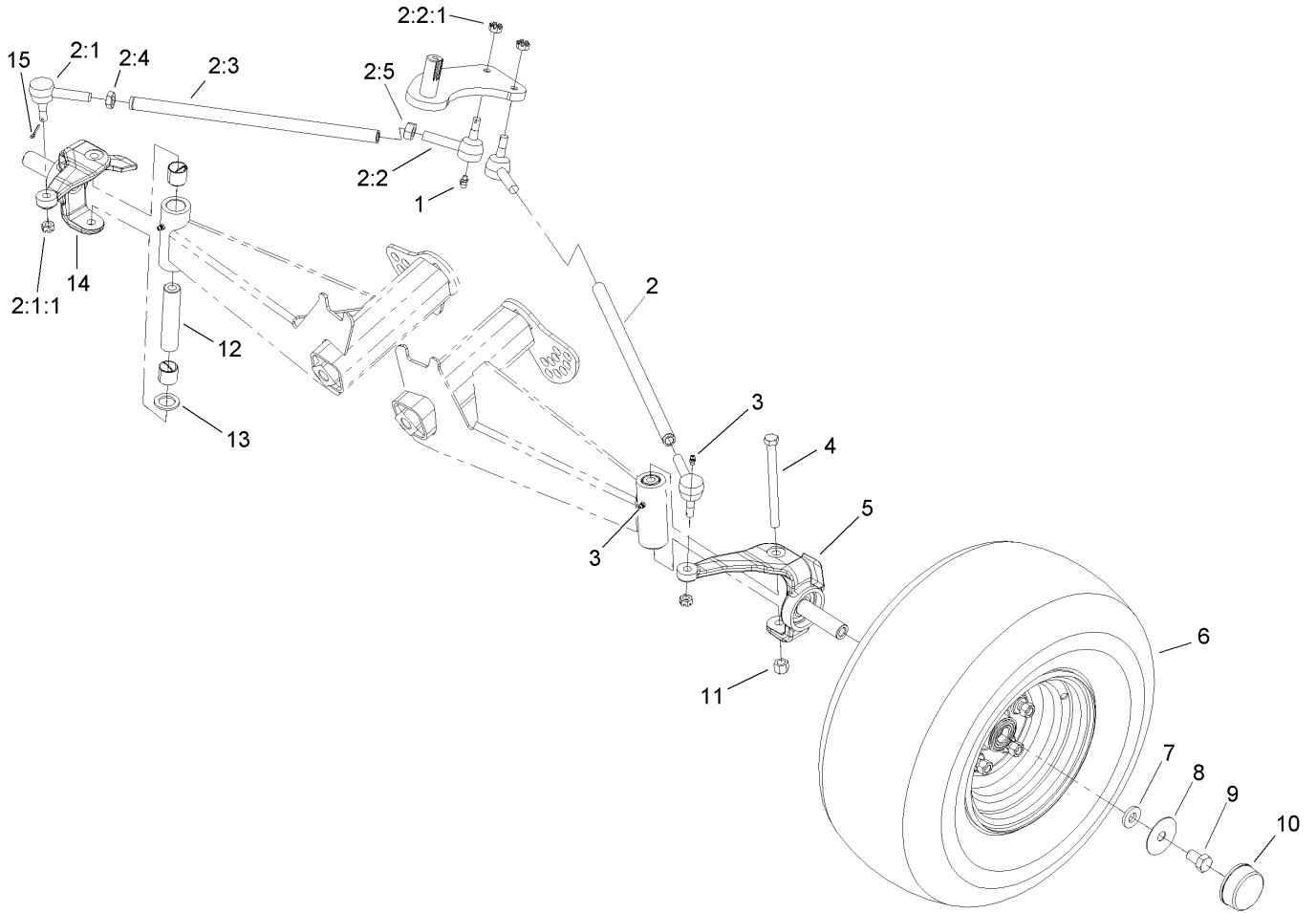
Ref	Part No.	Qty.	Description	Ref	Part No.	Qty.	Description
1	106-6672	2	Seat	26	107-0383	1	Powercord-Ac, U.k.
2	99-7829	2	Bracket-Seat	27	107-0382	1	Powercord-Ac, Europe
3	99-7830	2	Rubber Receptical ASM				
4	3290-412	2	Rivet				
5	33114-016	8	Screw-HH				
6	32108-5	2	Screw-FH				
7	99-7833	2	Post-Holding				
8	104-6401	1	Seat Base ASM				
9	3234-17	8	Screw-HHF				
10	88-7200	4	Washer-Flat				
11	32105-15	4	Screw				
12	104-6590	1	Mat-Floor				
13	107-0370	1	Plate-Receptacle				
14	107-0288	1	Receptacle-Charger				
15	107-0746	1	Harness-Wire, Charger				
16	107-0364	1	Charger-48v, Offboard				
18	107-0359-03	1	Tray-Seatbase				
19	107-0716	1	Bracket-Mount, Socket				
20	107-0333	2	Rivet-Pop				
21	107-0334	2	Screw-HSH				
22	99-3410	1	Switch				
23	3296-9	2	Nut-Lock				
24	32104-17	4	Screw-HWH				
25	107-0384	1	Powercord-Ac, Canada				



## Offboard 48 Volt Charger Assembly No. 107-0364

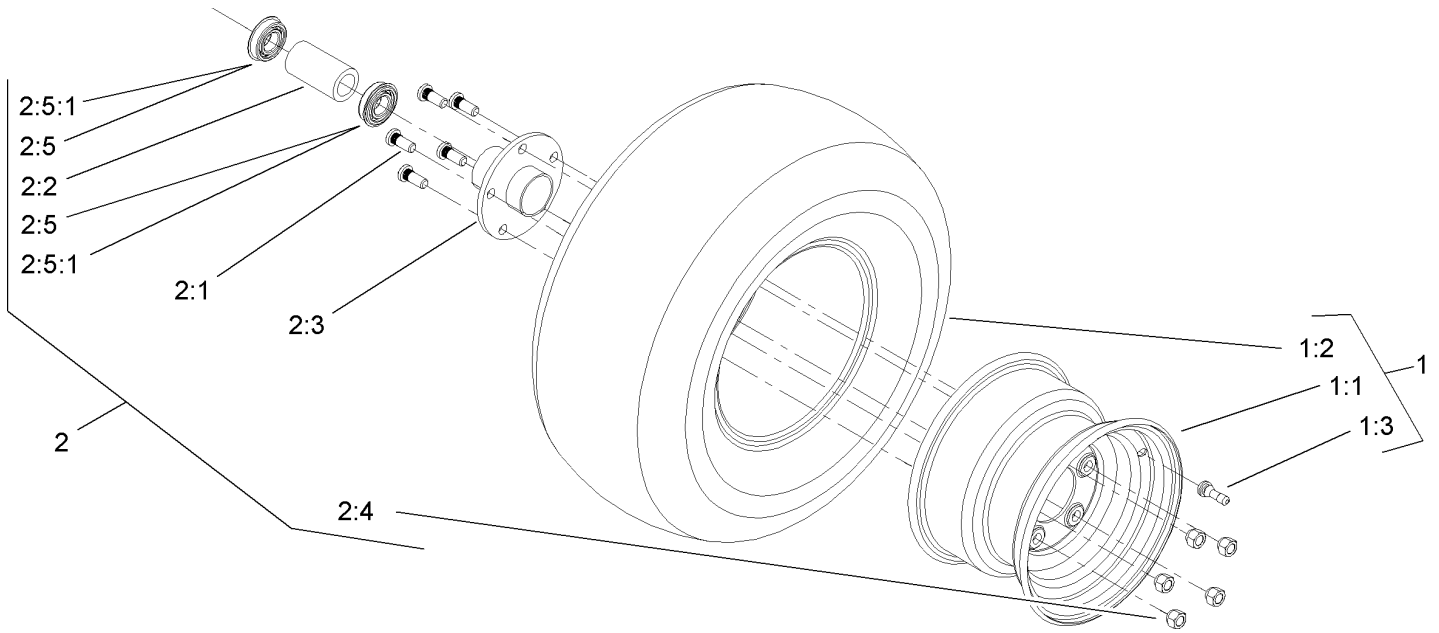
Ref	Part No.	Qty.	Description	
② 1		1	Case ASM	
② 2		1	Transformer ASM	
3	108-1161	1	Fuse ASM	
4	108-1170	1	Relay, 48v Dc	
5	108-1163	1	Diode ASM	
6	108-1171	1	Control Board ASM	
7	108-1172	1	Breaker-Circuit	
8	108-1173	1	Kit-Cordset	
9	108-1174	1	Connnector-Inlet	
10	108-1168	1	Scr W/terminals	
11	108-1175	1	Ammeter	
12	108-1176	1	Switch ASM	





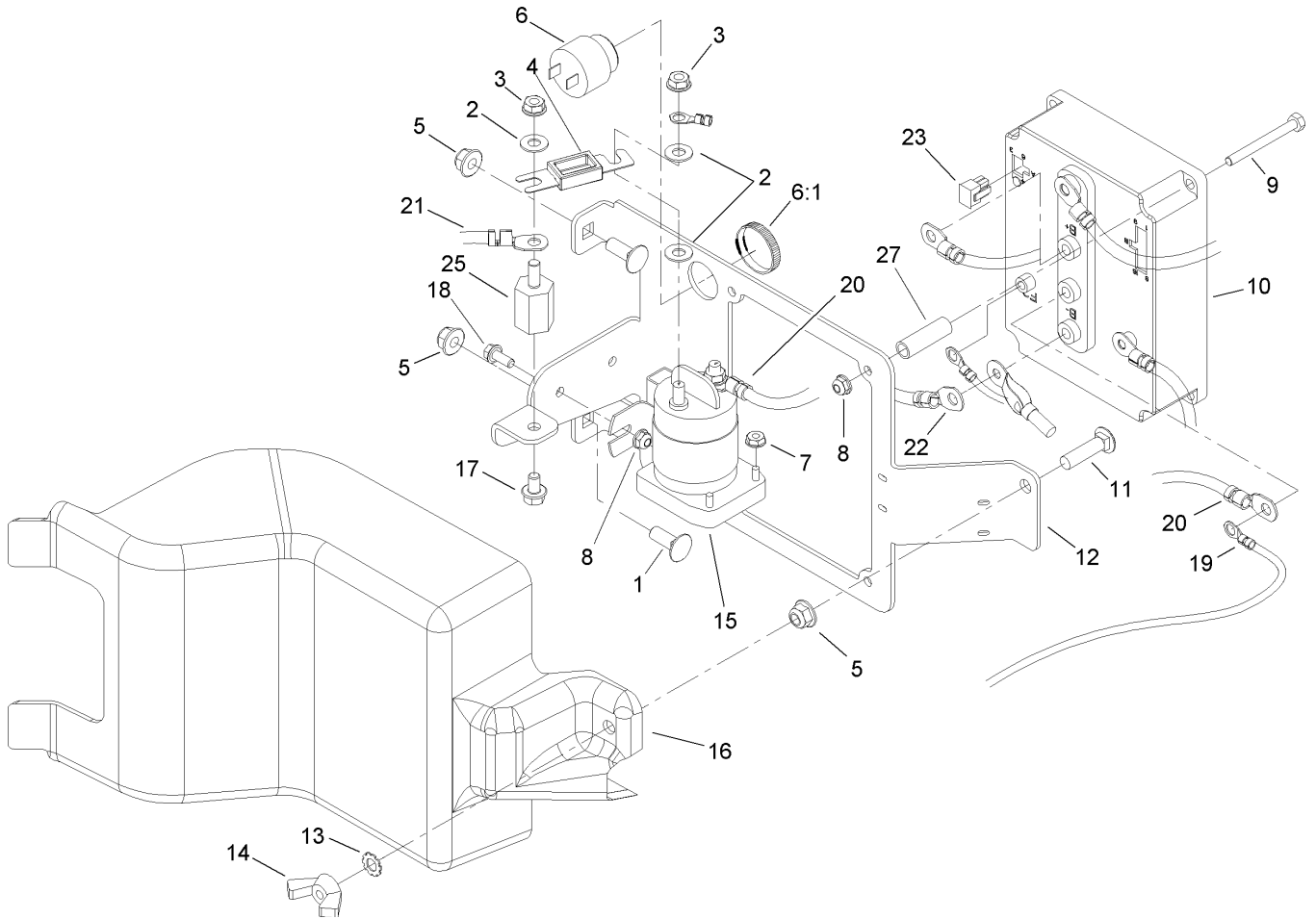
## Front Tire and Steering Assembly

Ref	Part No.	Qty.	Description	
1	302-60	2	Fitting-Grease	
2		2	Tie Rod ASM	
2:1	112772	1	Joint-Ball, RH	
2:1:1	915031	1	Nut	
2:2	112771	1	Joint-Ball, LH	
2:2:1	915031	1	Nut	
2:3	99-7600-03	1	Rod-Tie	
2:4	3220-11	1	Nut-Jam	
2:5	3218-21	1	Nut-Jam	
3	302-5	2	Fitting-Grease	
4	325-20	2	Screw-HH	
5	99-7486-03	1	Spindle-LH	
6		2	Tire, Wheel And Hub ASM	
7	99-7667	2	Washer-Flat	
8	99-7719	2	Washer	
9	327-2	2	Screw-HH	
10	94-7871	2	Cap-Dust	
11	3296-23	2	Nut-Lock, NI	
12	99-7499	2	Sleeve-Kingpin	
13	256-115	2	Washer-Thrust	
14	99-7487-03	1	Spindle-RH	
15	3272-7	4	Pin-Cotter	



## Tire, Wheel and Hub Assembly

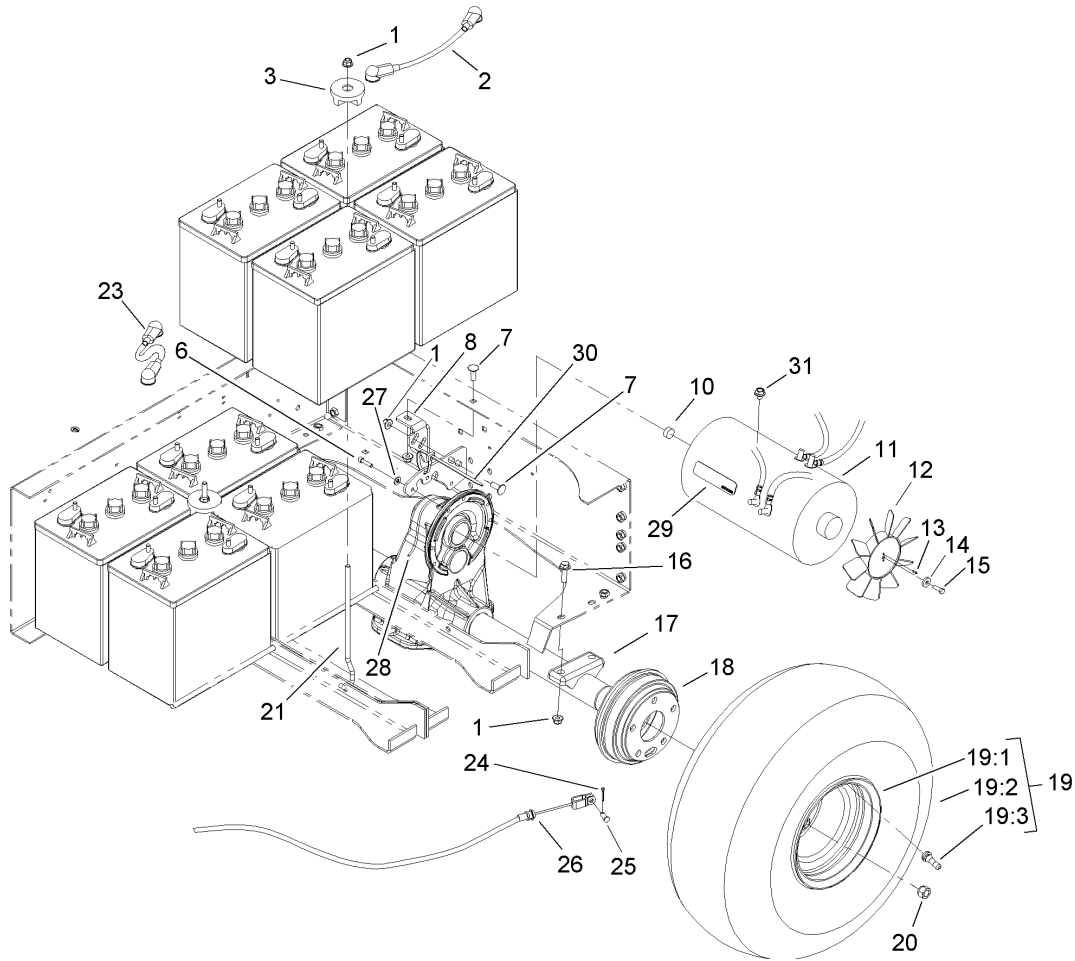
Ref	Part No.	Qty.	Description
1	104-7290	1	Tire/wheel ASM
1:1	104-7288	1	Wheel
1:2	104-7289	1	Tire
1:3	232-27	1	Stem-Valve
2	104-7287	1	Hub And Flange ASM
2:1	104-7283	5	Stud
2:2	104-7284	1	Spacer
2:3	104-7286	1	Hub And Flange
2:4	242-50	5	Nut-Lug
2:5	94-7538	2	Bearing
2:5:1	94-2053	1	Ring-Snap

## Controller Assembly

Ref	Part No.	Qty.	Description
1	3231-22	2	Screw-CARR
2	107-0394	3	Washer-Flat
3	107-0380	3	Nut-HHF
4	104-7320	1	Fuse
5	104-8301	3	Nut-Flange, NI
6	94-5582	1	Alarm-Audio
6:1	104-5107	1	Nut-Plastic, Knurled
7	32149-8	2	Nut-Keps
8	104-7201	6	Nut-HF
9	321-15	4	Screw-HH
10	104-7337	1	Controller
11	3231-4	1	Screw-CARR
12	104-7137-03	1	Mount-Controller
13	3255-9	1	Washer-Lock, Ext
14	32103-3	1	Nut-Wing
15	104-7136	1	Contactora-48v
16	104-7138	1	Cover-Controller
17	100-1719	1	Screw-Flange
18	3234-33	2	Screw-HHF
19	107-0730	1	Harness-Wire, Electric Mid Duty
20	107-0740	1	Cable-Battery, Positive
21	107-0741	1	Cable-Battery, Positive
22	107-0742	1	Cable-Battery, Negative
23	32160-130	1	Connector

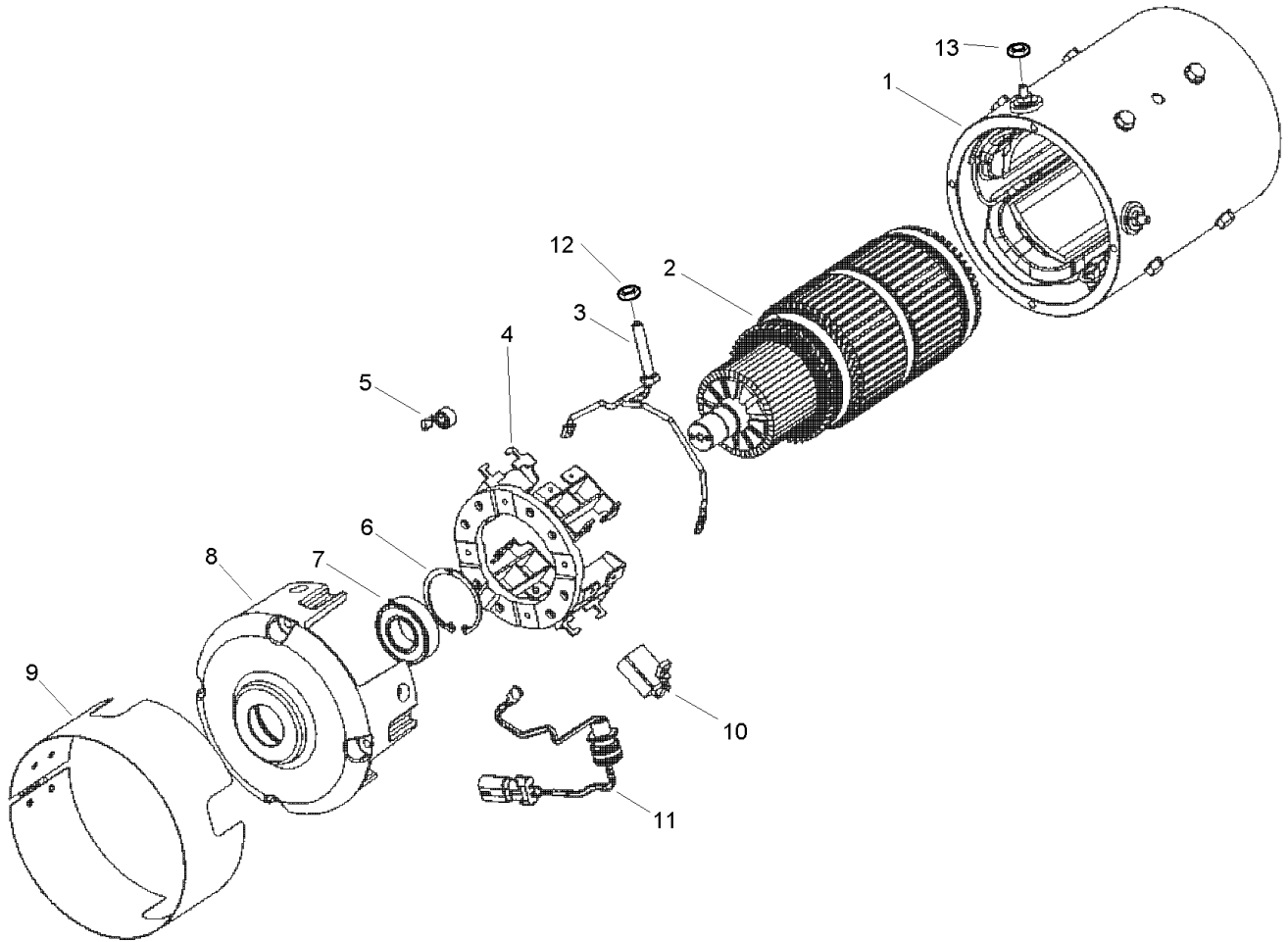
Ref	Part No.	Qty.	Description
24	107-0737	1	Harness-Wire, Battery Cable
25	107-0286	1	Isolator
27	107-0285	4	Spacer
28	3290-379	2	Tie-Cable



## Battery and Transaxle Assembly

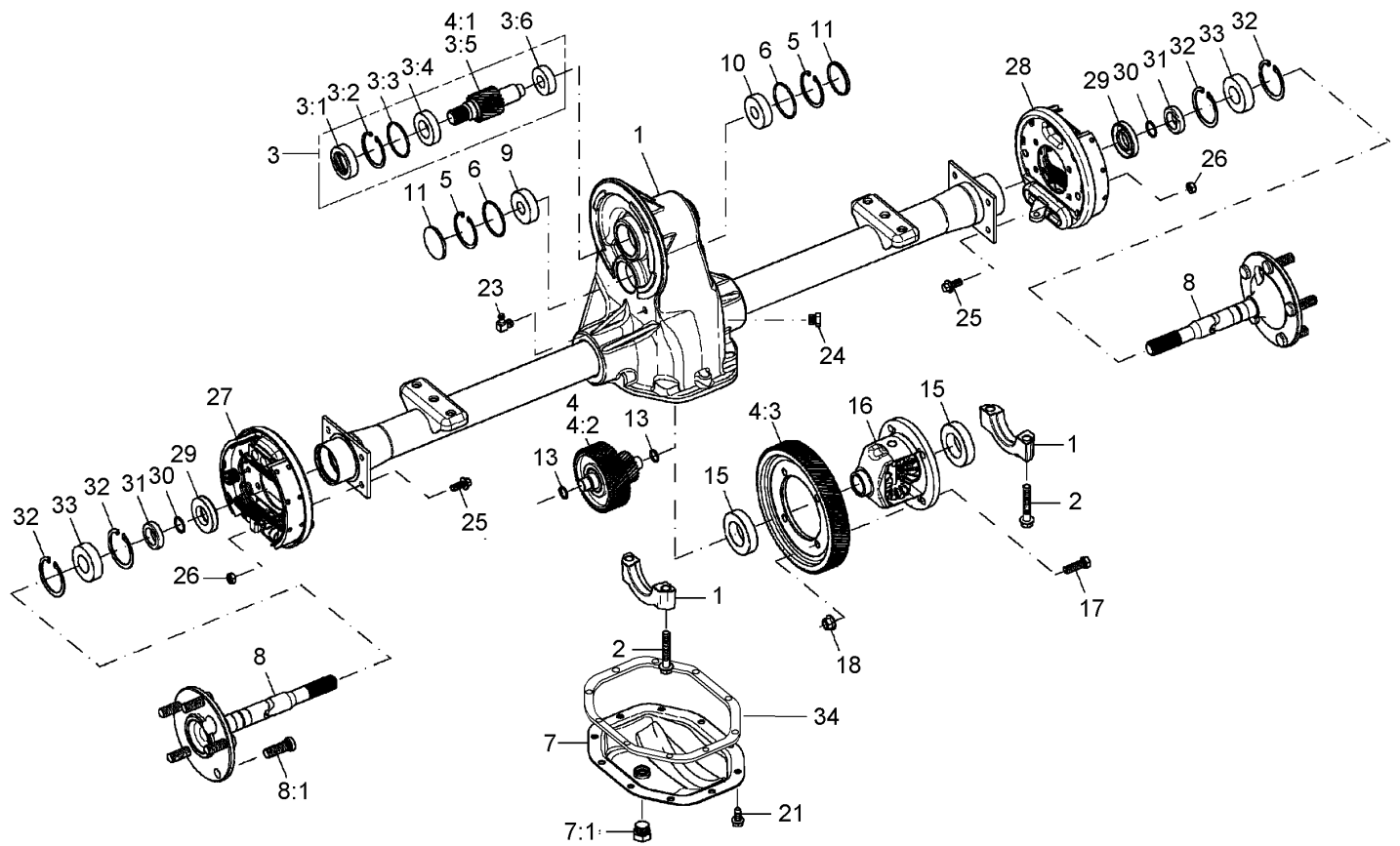
Ref	Part No.	Qty.	Description
1	104-8301	11	Nut-Flange, NI
2	107-0739	1	Cable-Battery, Positive
3	104-7149	2	Hold Down Assembly
6	3274-26	6	Screw-HSH
7	3231-22	5	Screw-CARR
8	104-7249-03	1	Bracket-Support
10	104-7243	1	Damper-Rubber
11	104-7335	1	Motor-Electric
12	107-0259	1	Fan-10 Blade, Clockwise
13	32121-68	2	Pin-Roll
14	73-3580	1	Washer
15	3274-8	1	Screw-HSH
16	3234-24	4	Screw-HHF
17	104-7378	1	Transaxle-Electric
18	104-6500	2	Drum-Brake
19	104-7290	2	Tire/wheel ASM
19:1	104-7288	1	Wheel
19:2	104-7289	1	Tire
19:3	232-27	1	Stem-Valve
20	242-50	10	Nut-Lug
21	104-7339	2	Rod-Battery
23	107-0738	6	Cable-Battery, Positive
24	3272-10	2	Pin-Cotter
25	283-62	2	Pin-Clevis

Ref	Part No.	Qty.	Description
26	104-7324	2	Cable-Brake
27	3256-22	6	Washer-Flat
28	5-4542	1	Line-Gas
29	107-0356	1	Decal-Motor
30	3290-379	12	Tie-Cable
31	107-0376	1	Screw-HSFH



## Electric Motor Assembly No. 104-7335

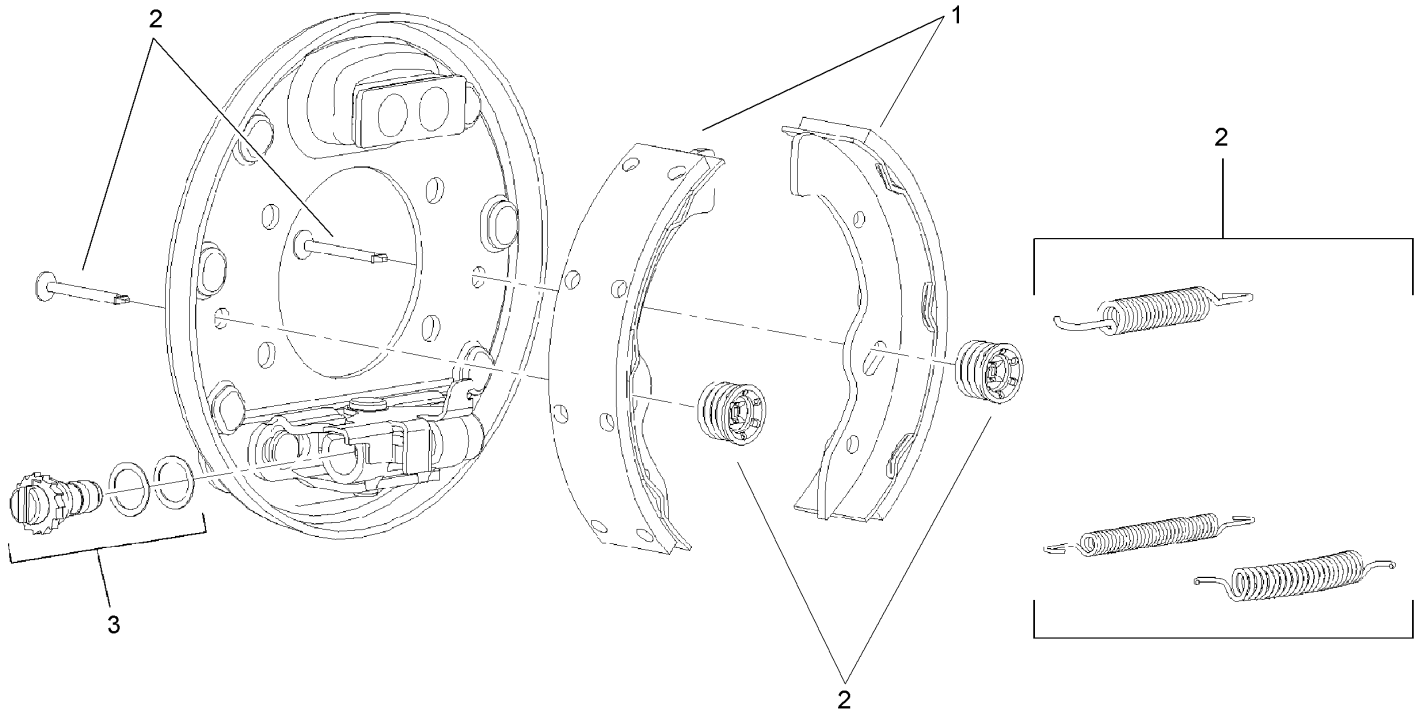
Ref	Part No.	Qty.	Description	
1		1	Frame And Field ASM	
2		1	Armature ASM	
3	108-1151	2	Brush Lead ASM	
4	108-1152	1	Brush Box ASM	
5	108-1153	8	Spring-Brush	
6	108-1154	1	Ring-Retaining	
7	108-1155	1	Bearing	
8	108-1156	1	Head-Commutator	
9	108-1157	1	Headband ASM	
10	108-1158	8	Brush	
11	108-1159	1	Thermal Sensor ASM	
12	3218-13	2	Nut-Jam, Brass	
13	3218-14	2	Nut-Jam, Brass	



## Axle Assembly No 104-7378

Ref	Part No.	Qty.	Description
1		1	Housing ASM
2	108-2401	4	Bolt-Cap, Bearing
3	108-2402	1	Input Shaft Kit
3:1	108-2403	1	Seal-Oil
3:2	108-2404	1	Ring-Retaining
3:3	108-2405	1	O-Ring
3:4		1	Bearing-Ball
3:5		1	Shaft-Input
3:6		1	Bearing-Ball
4	108-2409	1	Internal Gear Kit
4:1		1	Shaft-Input
4:2		1	Gear-Intermediate
4:3		1	Gear-Drive, Final
5	108-2404	2	Ring-Retaining
6	108-2405	2	O-Ring
7	108-2416	1	Cover Kit
7:1	108-2415	1	Plug-HH
8	108-2426	1	Axle Shaft Kit
8:1	106-9205	5	Stud-Wheel
9	108-2406	1	Bearing-Ball
10	108-2407	1	Bearing-Ball
11	108-2408	2	Plug-Cap, End
13	108-2410	2	O-Ring
15	108-2411	2	Bearing-Ball

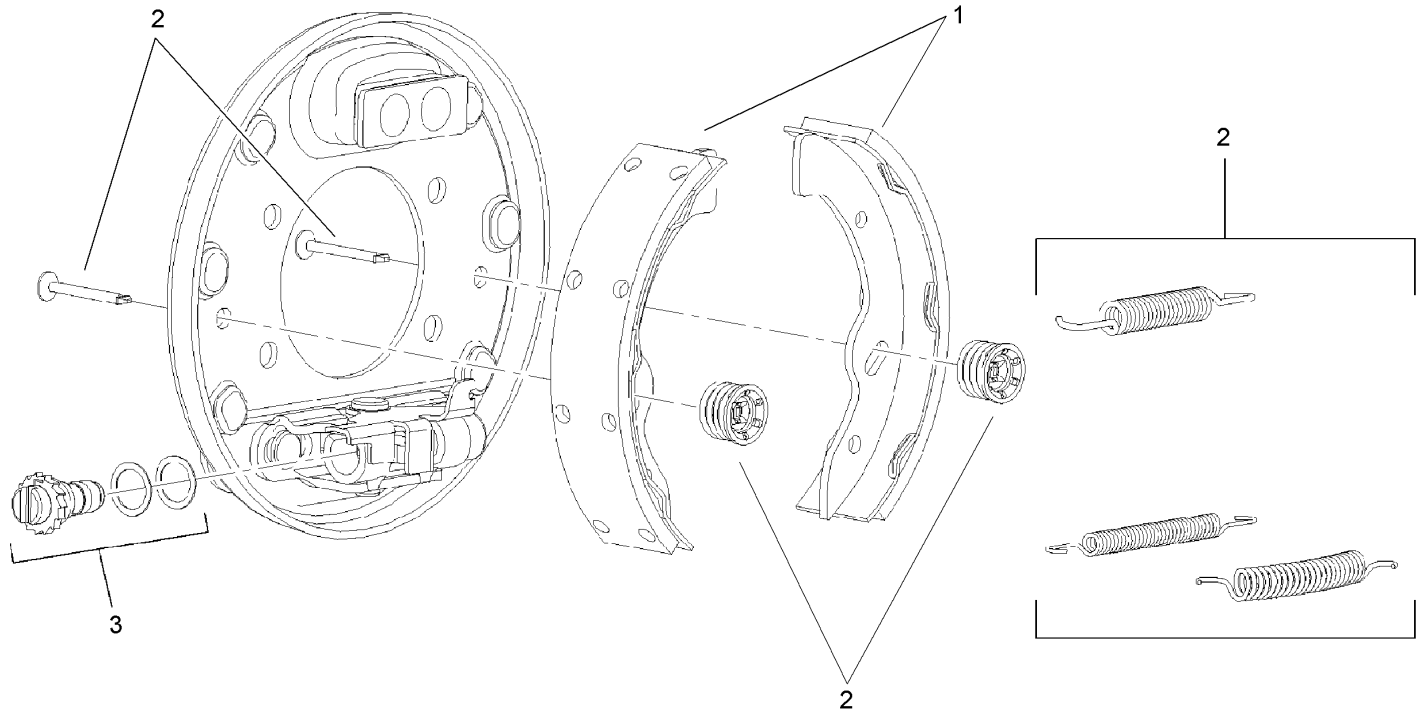
Ref	Part No.	Qty.	Description
16	108-2412	1	Differential ASM
17	108-2413	4	Screw-Hex
18	108-2414	4	Nut-Lock
21	108-2427	10	Screw-Tapping
23	108-2428	1	Elbow-90 Degree
24	108-2429	1	Plug-HH
25	108-2417	8	Screw-Head, Flange
26	108-2418	8	Nut-Lock
27	108-2419	1	LH Brake ASM
28	108-2420	1	RH Brake ASM
29	108-2421	2	Seal-Oil
30	108-2422	2	Ring-Retaining
31	108-2423	2	Ring-Retaining, Wheel Bearing
32	108-2424	4	Ring-Retaining
33	108-2425	2	Bearing-Ball
34	108-3148	1	Gasket



### Left Hand Brake Assembly No. 108-2419

Ref	Part No.	Qty.	Description
1	108-6995	1	Shoe And Lining Kit (Set Of 4)
2	104-1244	1	Springs
3	104-1245	1	LH Adjuster Kit

--	--	--	--

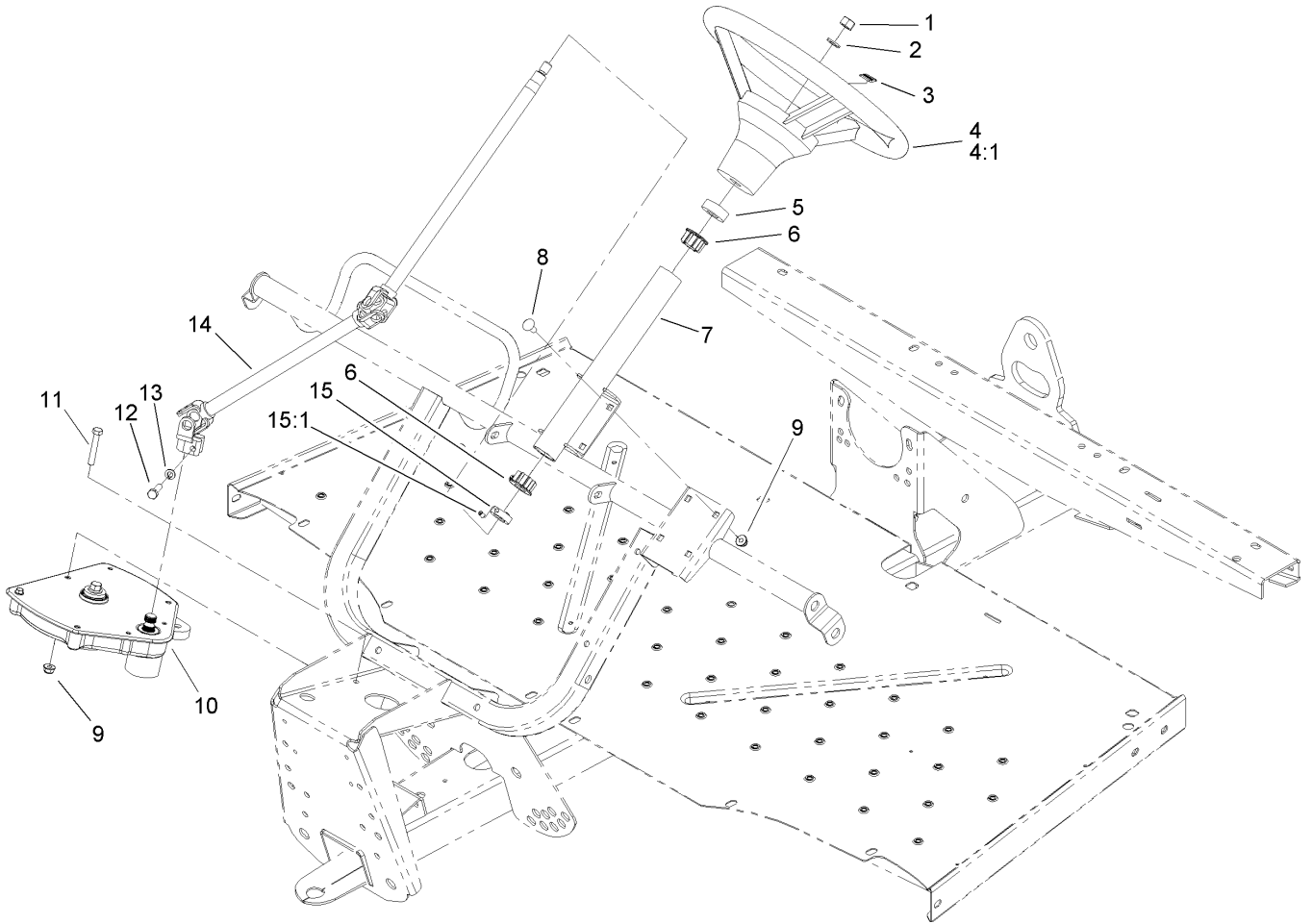


## Right Hand Brake Assembly No. 108-2420

Ref	Part No.	Qty.	Description
1	108-6995	1	Shoe And Lining Kit (Set Of 4)
2	104-1244	1	Springs
3	104-1246	1	RH Adjuster Kit

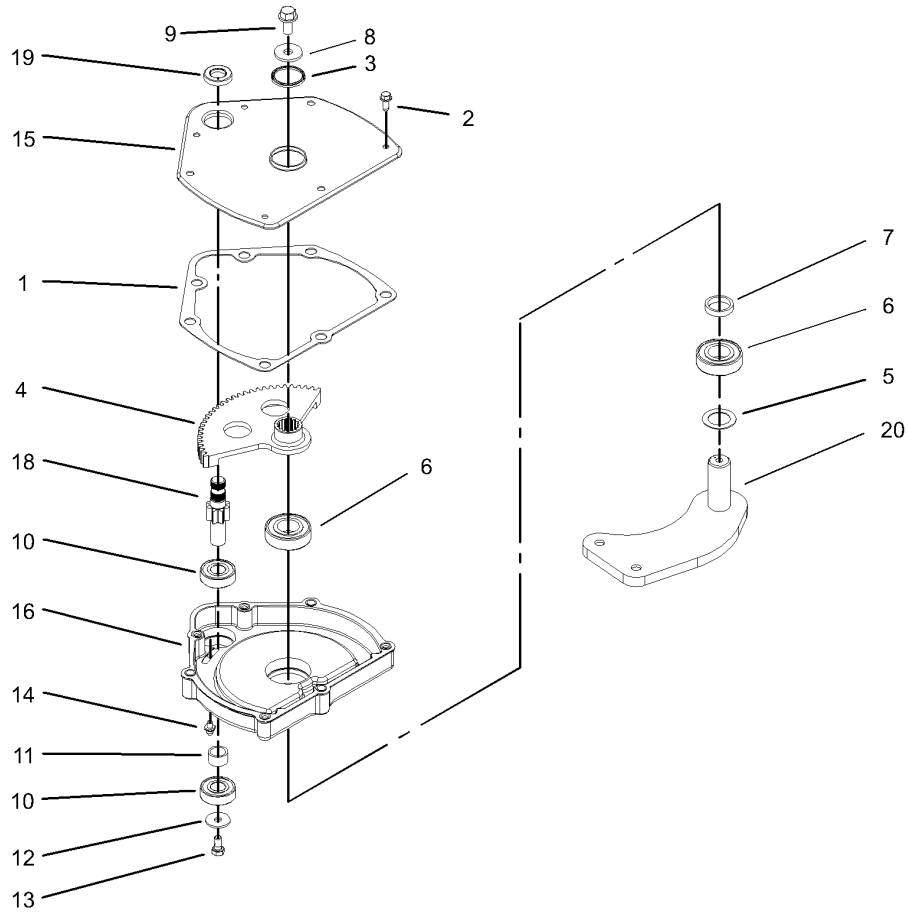
--	--	--	--





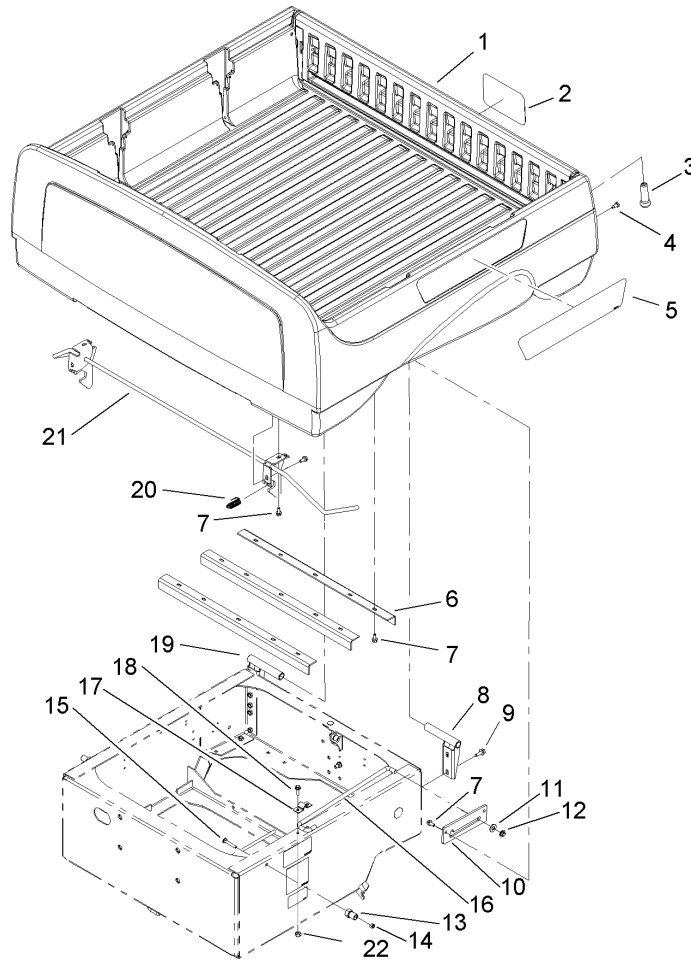
## Steering Assembly

Ref	Part No.	Qty.	Description	
1	3277-1	1	Nut-Hex	
2	48-8070	1	Washer-Lock	
3	98-1459	1	Decal	
4	98-1471	1	Wheel-Steering	
4:1	98-1468	1	Cover-Wheel, Steering	
5	21-9260	1	Cover-Dust	
6	93-1146	2	Bushing-Upper, Steering	
7	99-7651-03	1	Column-Steering	
8	3230-1	4	Bolt-CARR	
9	104-8300	7	Nut-Flange, NI	
10	99-7660	1	Steering Gearbox ASM	
11	322-10	3	Screw-HH	
12	48-7730	1	Screw-HH	
13	3253-4	1	Washer-Lock	
14	99-7653	1	Shaft-Steering	
15	111383	1	Collar	
15:1	3245-32	1	Screw-HS	



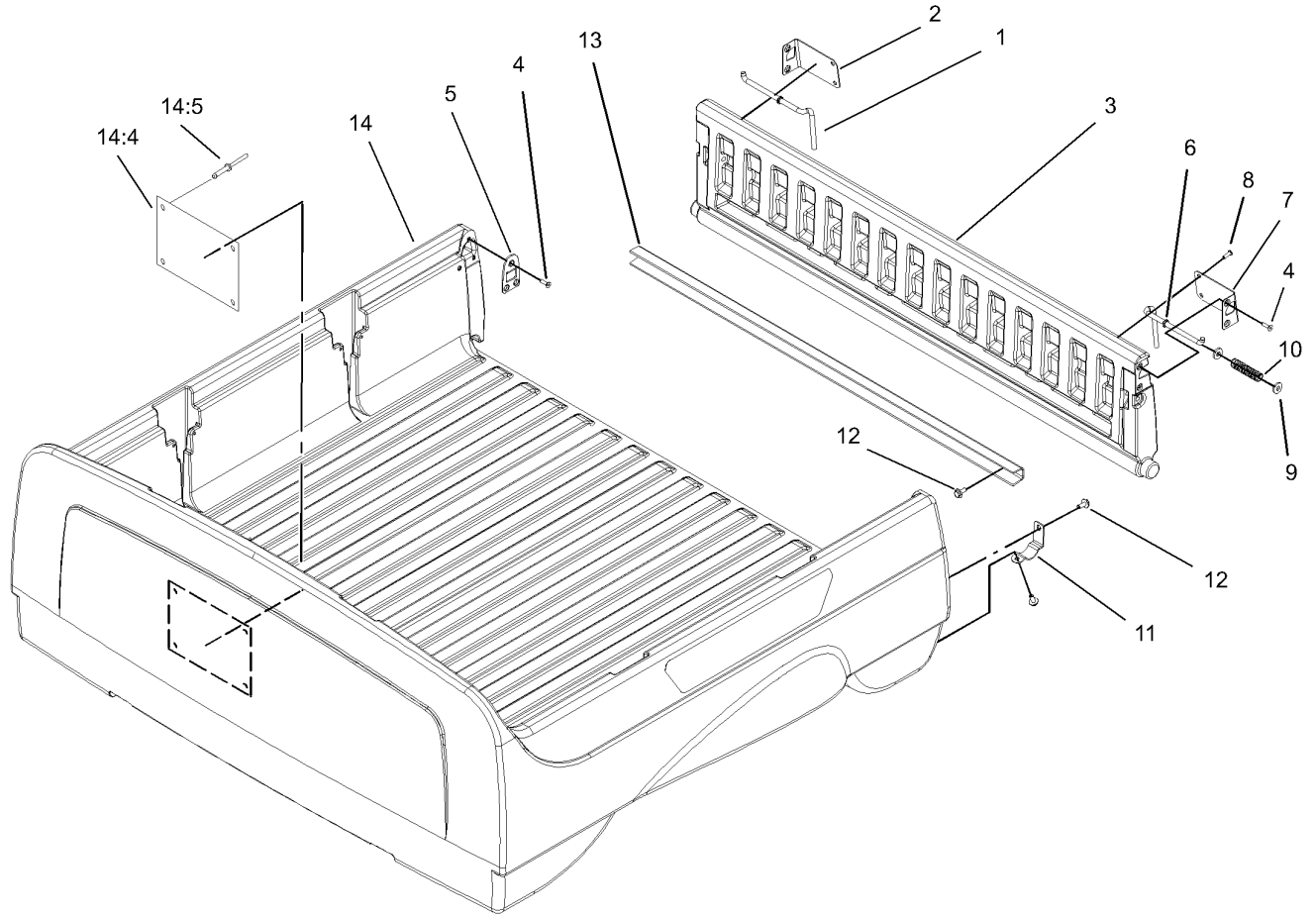
## Steering Gearbox Assembly No. 99-7660

Ref	Part No.	Qty.	Description
1	94-2135	1	Gasket
2	32144-10	4	Screw-HWH
3	103118	1	Seal
4	99-7843	1	Sector-Gear
5	3256-42	1	Washer-Flat
6	251-82	2	Bearing-Ball
7	94-2218	1	Spacer-Shaft, Output
8	104-6563	1	Washer-Stepped
9	104-7156	1	Screw-HHF
10	38-7820	2	Bearing-Ball
11	94-2217	1	Spacer-Shaft, Input
12	1-613235	1	Washer
13	98-3498	1	Screw-HH
14	302-5	1	Fitting-Grease
15	99-7656-03	1	Cover-Housing, Steering
16	99-7658	1	Housing-Steering
18	99-7650	1	Gear-Pinion
19	99-7657	1	Seal-Oil
20	99-7601-03	1	Arm-Pitman

## Box and Tailgate Installation Assembly

Ref	Part No.	Qty.	Description				
1		1	Box And Tailgate ASM				
2	104-7213	1	Decal				
3	99-7984	2	Knob-Soft Grip, Push-On				
4	87-8460	2	Bumper-Rubber				
5	104-7265	2	Decal				
6	99-7864-03	3	Brace-Box				
7	3234-5	18	Screw				
8	99-7308-03	1	LH Pivot Bracket ASM				
9	3234-11	4	Screw-HHF				
10	99-7894	1	Bracket-Rod, Prop				
11	3256-26	1	Washer-Flat				
12	32112-14	1	Nut-Push				
13	104-7248	2	Pin-Latch				
14	3296-29	2	Nut-Lock, NI				
15	3230-7	2	Screw-CARR				
16	99-7895	1	Rod-Prop				
17	99-7896	1	Bracket-U, Prop Rod				
18	3234-17	2	Screw-HHF				
19	99-7309-03	1	RH Pivot Bracket ASM				
20	5-7290	2	Spring-Tension				
21	104-7244	1	Rod-Latch				
22	104-8300	2	Nut-Flange, NI				



## Box and Tailgate Assembly

Ref	Part No.	Qty.	Description
1	99-7860	1	Rod-Latch, Right
2	99-7858	1	Bracket-Tailgate Latch, Right
3	99-7893	1	Tailgate ASM
4	99-7334	10	Screw
5	99-7852	2	Plate-Striker
6	99-7859	1	Rod-Latch, Left
7	99-7857	1	Bracket-Tailgate Latch, Left
8	99-7335	4	Screw
9	99-7861	4	Washer-Latch
10	61-8880	2	Spring
11	99-7286	2	Bracket-Pivot, Tailgate
12	3234-5	10	Screw
13	99-7867	1	Channel-Tailgate
14	104-7203	1	Box ASM
14:4	99-7954	1	Decal-No Riders
14:5	3290-415	4	Rivet

## NOTES

## NOTES

## NOTES

